

MIRROR K-2453

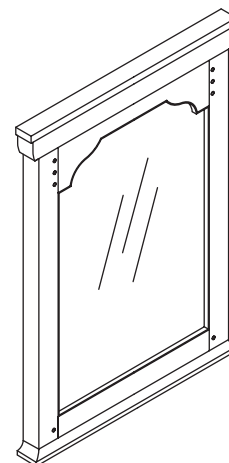
Features

- Alder solids and veneers (F7 Nutmeg finish)
- Ash solids and veneers (F8 Seashell finish)
- Catalyzed polyurethane finish
- Includes hanger for wall-mount installation
- Complements the Ballard™ vanity
- 26" (66 cm) x 36" (91.4 cm)

Codes/Standards Applicable

Specified model meets or exceeds the following:

- None applicable



Colors/Finishes

- F7: Nutmeg
- F8: Seashell

Specified Model

Model	Description	Colors/Finishes	
K-2453	Mirror	<input type="checkbox"/> F7	<input type="checkbox"/> F8
Recommended Accessory			
K-2451	Vanity, 24" (61 cm) length	<input type="checkbox"/> F7	<input type="checkbox"/> F8
K-2452	Vanity, 36" (91.4 cm) length	<input type="checkbox"/> F7	<input type="checkbox"/> F8

Product Specification

The mirror shall be 26" (66 cm) in width and 36" (91.4 cm) in height. Mirror frame shall be made of alder solids and veneers (-F7) or ash solids and veneers (-F8). Mirror frame shall have catalyzed polyurethane finish. Mirror shall include a hanger for wall-mount installation. Mirror shall complement the Ballard vanity. Mirror shall be Kohler Model K-2453-_____.

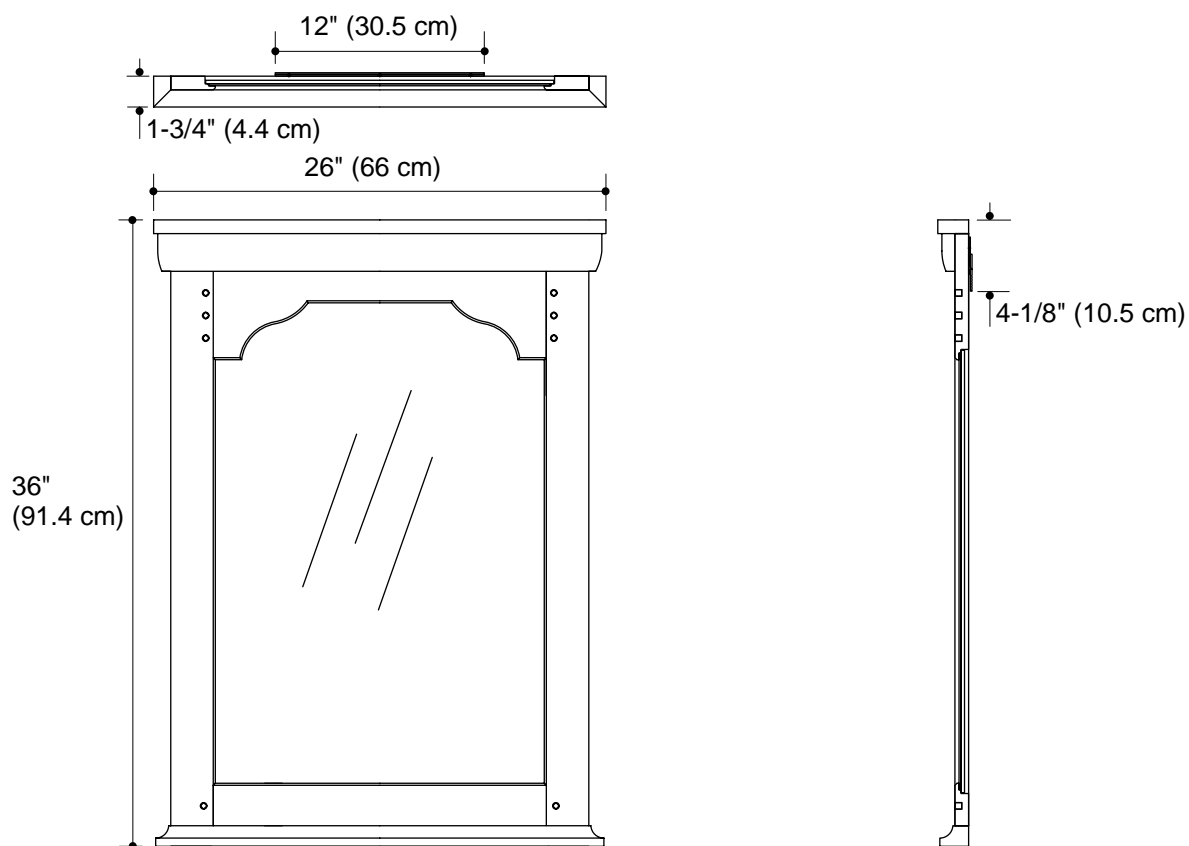
BALLARD™

Installation Notes

Install this product according to the installation guide.

Select the type of fastener based on the wall material. A minimum 20 lb (9.07 kg) load bearing fastener is recommended.

Install the fastener to a stud to avoid possible property and product damage.



Product Diagram